

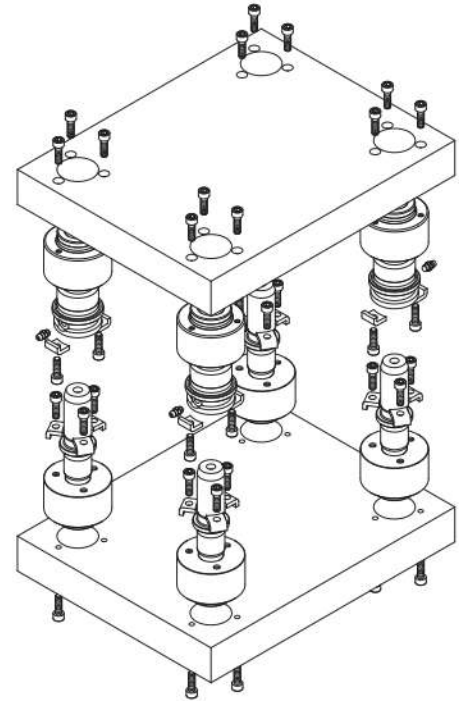
## MAIN ADVANTAGES AND OBSERVATIONS

- I The "x" series stamp base pads, being stock products, have lower prices and delivery times.
- II As they are interchangeable, they can be replaced, assembled and disassembled, without affecting the operation of the tool.
- III Unpublished rental system avoiding the use of guide pins, providing greater rigidity.
- IV Made of cold rolled steel in round and square formats and thus available in various heights.

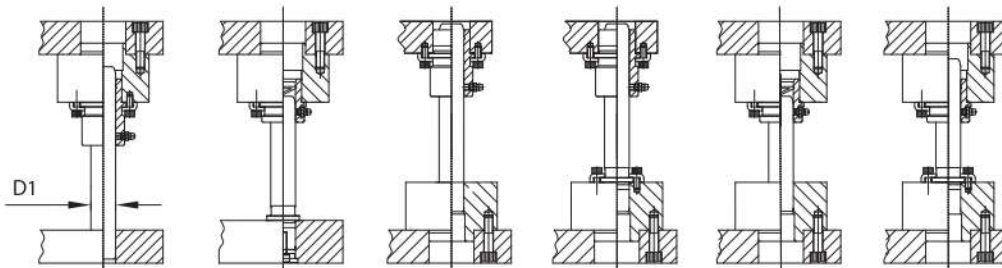
Note: - D1 dimension indicates the diameter of the pin used with its respective demountable bushing MDL.

- The length of the screws will be determined according to the thickness of the plates where the shims will be mounted.
- On request the shims can be used with components for ball gluing.

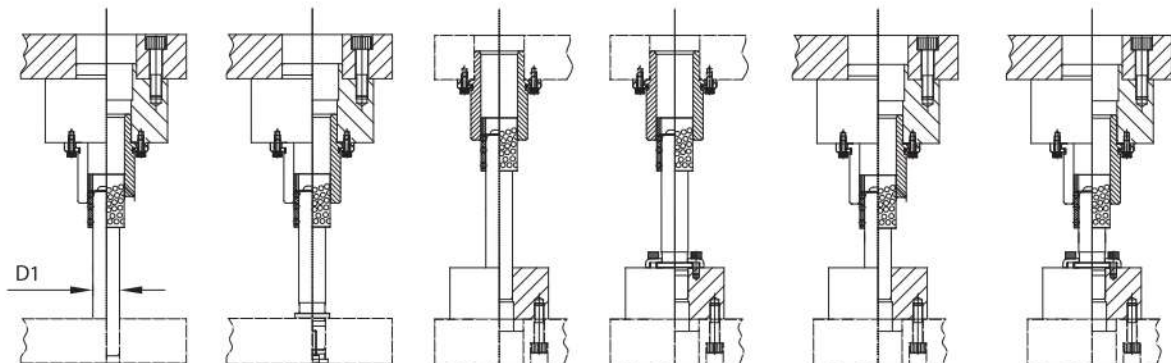
## Assembly



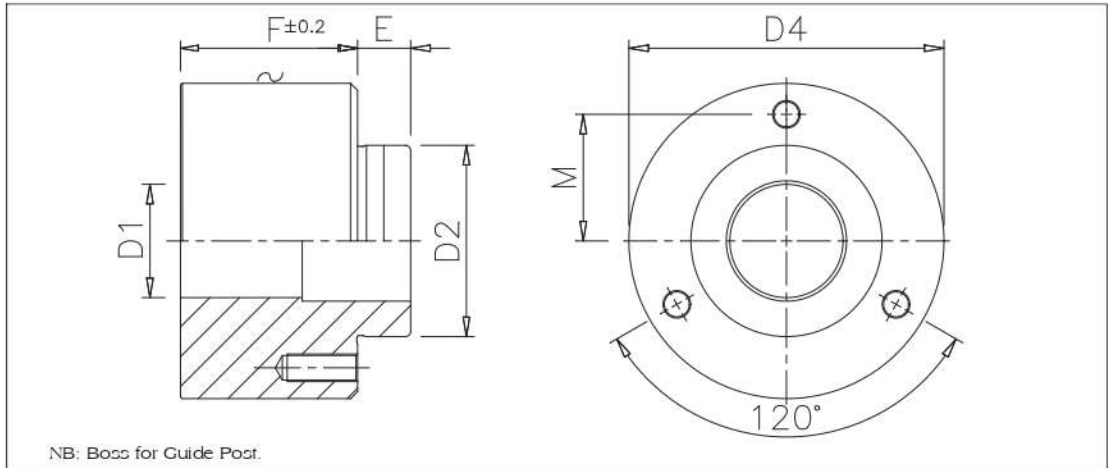
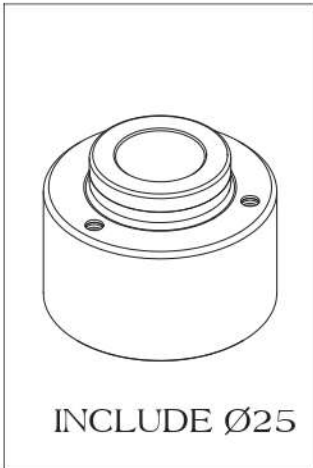
## ASSEMBLY OPTIONS WITH BOSSES



## ASSEMBLY OPTIONS WITH BOSSES AND BALL CAGE



MDL RESERVES THE RIGHT TO CHANGE THIS CATALOG WITHOUT NOTICE



D <sub>1</sub>	32	40	50	63	80
----------------	----	----	----	----	----

F	ROUND BOSSES FOR GUIDE POSTS				
40	X05.032.040				
50	X05.032.050				
63		X05.040.063			
80		X05.040.080	X05.050.080		
100			X05.050.100	X05.063.100	
125				X05.063.125	X05.080.125

F	ROUND BOSSES FOR BUSHINGS				
40	X06.032.040				
50	X06.032.050				
63		X06.040.063			
80		X06.040.080	X06.050.080		
100			X06.050.100	X06.063.100	
125				X06.063.125	X06.080.125

### DIMENSIONAL DATA

D <sub>2</sub>	54	65	81	100	118
D <sub>4</sub>	89	102	114	140	165
E	15				
M	35,75	41,75	48,75	60,00	70,75
THREAD	M6	M8			M10